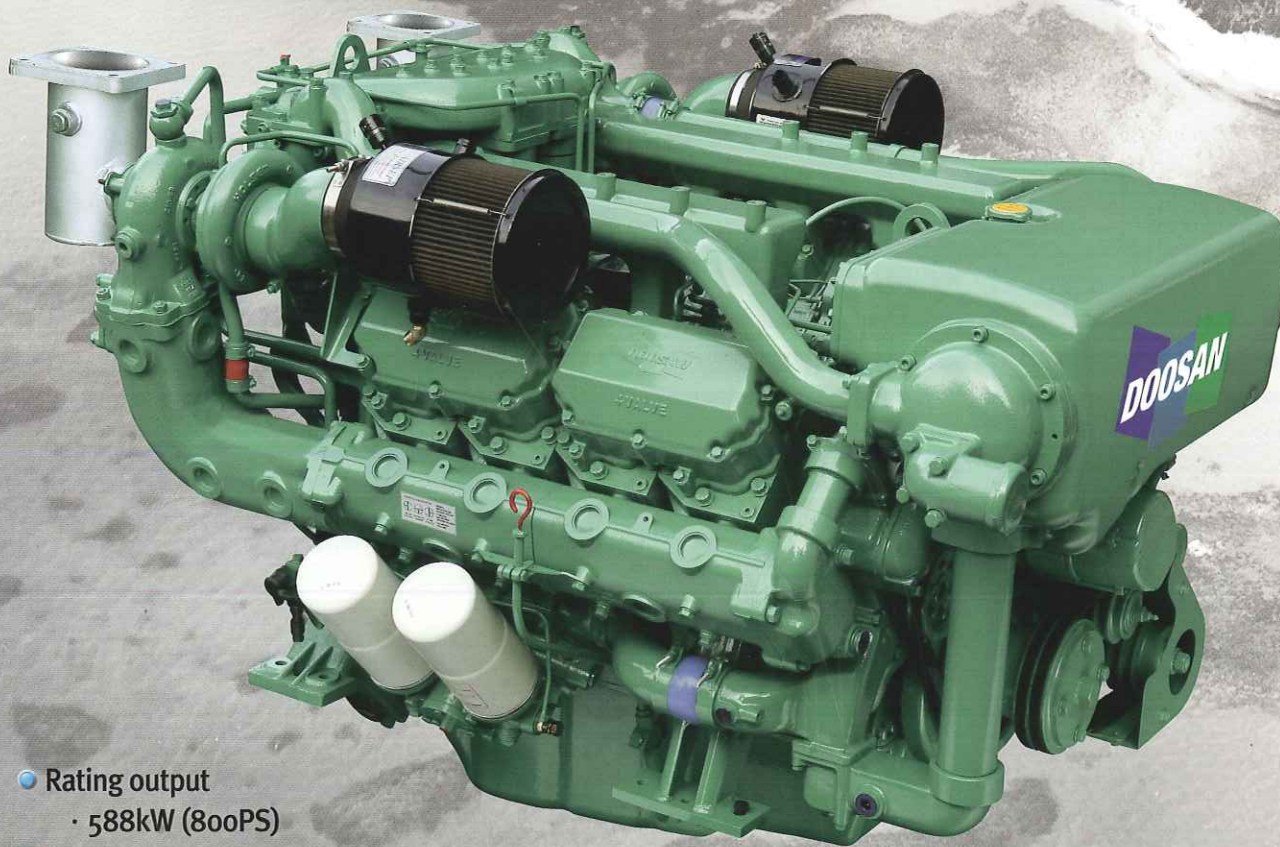




Marine Diesel Engine

4V158TI

- Compact Design
- Excellent Performance
- Low Fuel Consumption
- Easy Maintenance



- Rating output
 - 588kW (800PS)
- Displacement
 - 14,618 cc
- Dimension (L×W×H)
 - 1,558×1,237×1,334 mm
 - Without Reduction Gear

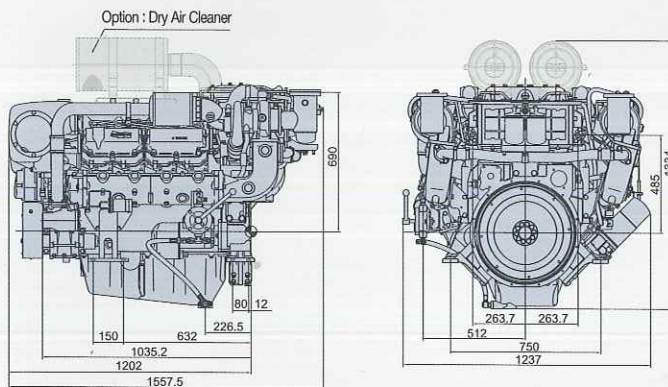
Doosan Infracore
Engine

Main Specification

Model	Units	4V158TI		
		4V158TIH	4V158TIM	4V158TIL
Engine type		4 valve, 4 cycle, V type, direct-injection, water cooled with turbo charger & inter-cooler		
Rating output	PS(kW) / rpm	530(390)/1,800	600(441)/2,100	800(588)/2,300
Displacement	cc	14,618		
Cylinder number - bore × stroke	mm	8 - φ128 × 142		
Flywheel housing & fly wheel(inch)		SAE 1 & 14		
Low idling rpm	rpm	725 ± 25		
No load max. rpm	rpm	below 2,070	below 2,415	below 2,645
Compression ratio		14.3 : 1		
Firing order		1 - 5 - 7 - 2 - 6 - 3 - 4 - 8		
Governor type of injection pump		Mechanical variable speed (R.Q.V)		
Fuel consumption(only Ref.)@ rated power	g / PS.h	160.4	168	180.6
	Lit / h	101.57	120.43	172.62
Starting system		Electric Starting by starter motor		
Starter motor capacity	V - kW	24 - 6.6		
Alternator capacity	V - A	24 - 55		
Battery	V - Ah	24 - 200		
Cooling system		Indirect sea water cooling with heat exchanger		
Cooling water capacity	Max. / Min.	lit 94 / 83		
Fresh water pump type		Centrifugal type, driven by belt		
Sea water pump type		Bronze impeller type driven by belt		
Lubricating oil(Engine)	Pan capacity	lit	Max : 31, Min : 25 (Engine total : 35)	
	Pressure	kg/cm ²	Full : 3.5, Idle : 1.2	
Direction of revolution	Crankshaf	Counter clockwise viewed from stern side		
Engine Size(L×W×H)	Without M/G	mm	1,558×1,237×1,334	
Engine dry weight	Without M/G	kg	1,540	1,580

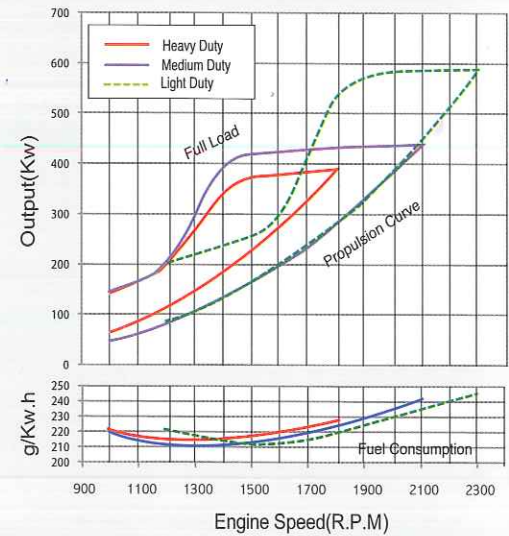
※H : Heavy Duty, M : Medium Duty, L : Light Duty

Engine Dimension



Performance Curve

- Heavy duty : 390kW(530PS)@1,800rpm
- Medium duty : 441kW(600PS)@2,100rpm
- Light duty : 588kW(800PS)@2,300rpm



Marine rating to ISO 3046

(1) Heavy Duty

- Operation hours : unlimited per year, unlimited per day
- Average load application : up to 90%
- Percentages of time at full load : up to 80%
- Typical gearbox ratio : 2.5~6
- * Application : Fishing trawler, Tug boat, Pushing vessel, Cargo boat, Freighter

(2) Medium Duty

- Operation hours : up to 3,000hr per year, up to 10hrs per day
- Average load application : up to 70%
- Percentages of time at full load : up to 30%
- Typical gearbox ratio : 2~3.5
- * Application : Pilot boat, Escort boat, Passenger boat, Freighter, Ferry, Cruising vessel

(3) Light Duty

- Operation hours : up to 1,000hr per year, up to 5hrs per day
- Average load application : up to 50%
- Percentages of time at full load : up to 20%
- Typical gearbox ratio : 1~2.5
- * Application : Yacht, Cruising vessel, Fast boat, Fire pump

(Jan.2013)

Doosan Infracore Engine

21/F, Doosan Tower, 18-12, Euljiro 6-ga,
Jung-gu, Seoul, 100-730, Korea.
Tel : 82 2 3398 8400
Fax : 82 2 3398 8509
Email : doosanmarine@doosan.com
http://engine.doosaninfracore.co.kr

AUTHORIZED DEALER

* Specifications are subject to change without prior notice.